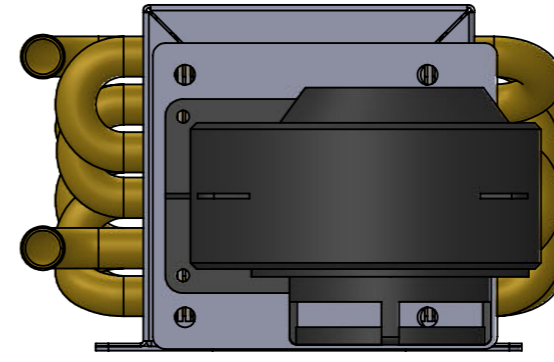
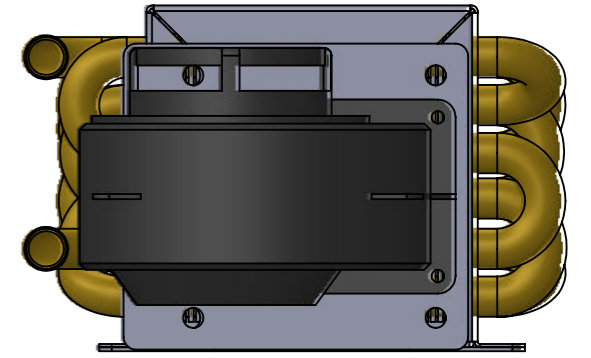


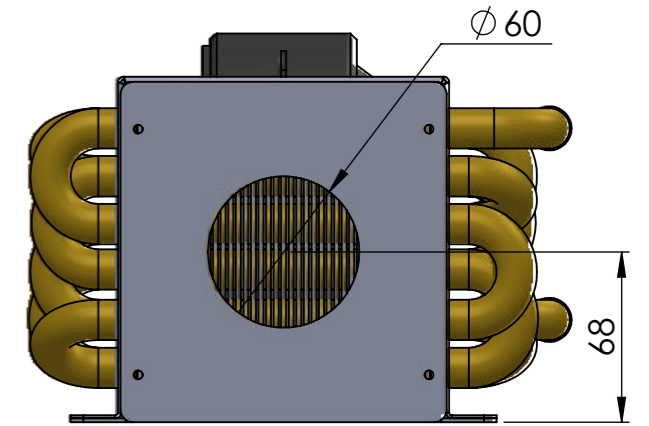
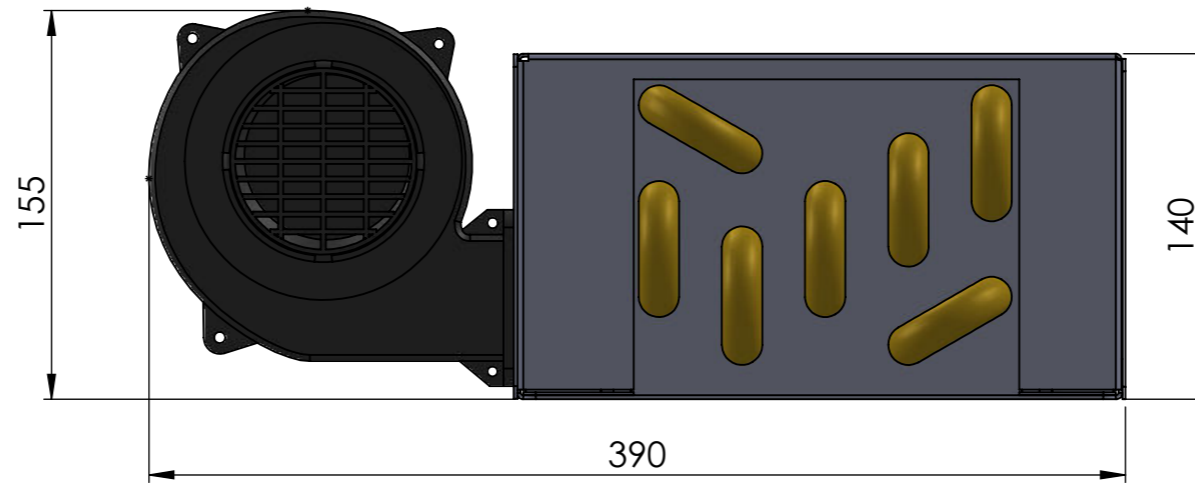
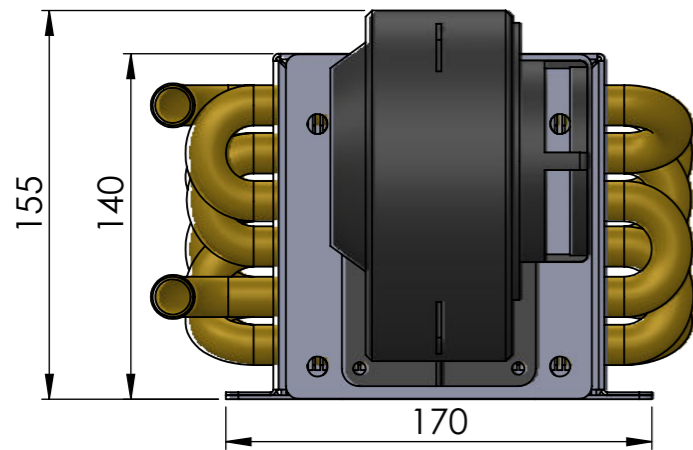
DEFAULT




+90 DEG



-90 DEG



 MATERIAL: Drawn By: CARLO ADRAINCEM	TITLE:	REVISION
	Part Name: 1.5KW FAN HEAD SUB-ASSY	
SCALE:1:5	SHEET 1 OF 4	