

**Installation opening**

Saw an installation opening for the embedded model as shown in figure 3 in the desired place and a separate opening for the control panel as shown in figure 4. The length of the control panel cord is 2 m.

**There must be a replacement air opening with a minimum size of 100 cm<sup>2</sup> ( 16 in<sup>2</sup> ) in the space where the stove is installed.**

Figure 3: a) Installation compartment 85D.

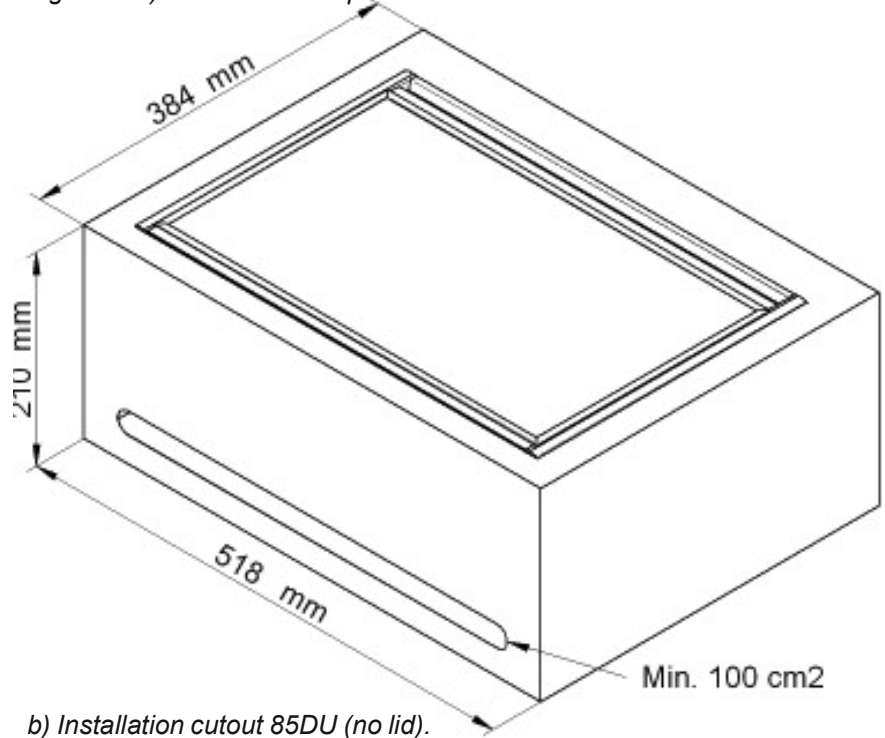
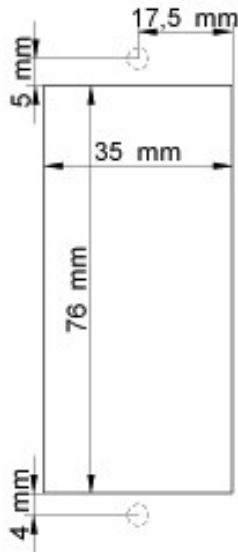


Figure 4: Installation cutout for 85DU control panel.



b) Installation cutout 85DU (no lid).

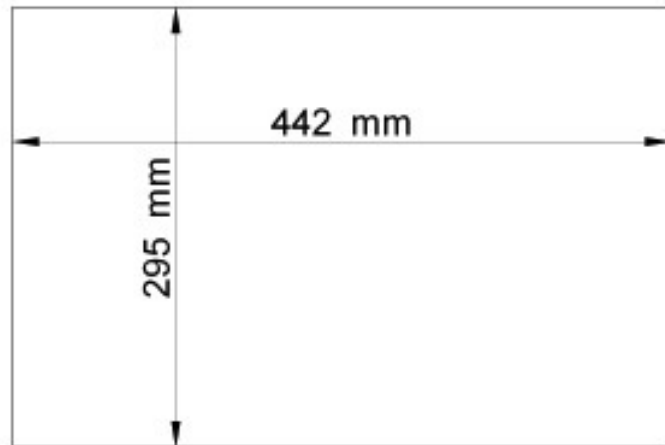
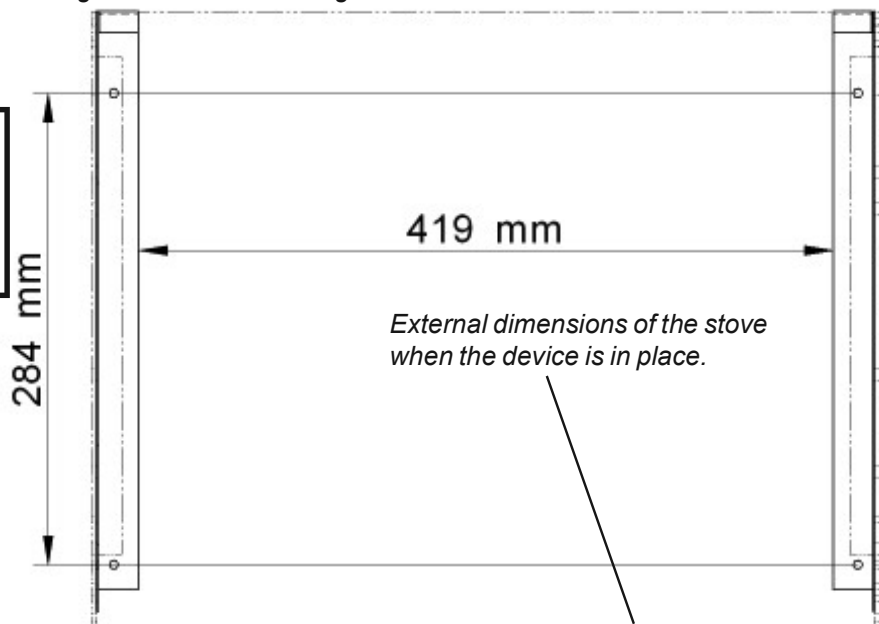


Figure 5: 85DP Attaching the installation rails.



**There must be at least 20 mm between the stove and any vertical surface.**

**Mounting rails**

The surface model requires no installation opening. Just attach the rails to the desk as shown in figure 5.