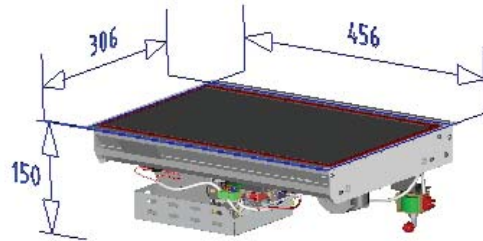


Stove installation

Saw a cut-out (see picture) for the stove and the control panel in your chosen location.

The length of the control panel cable is 3 m.

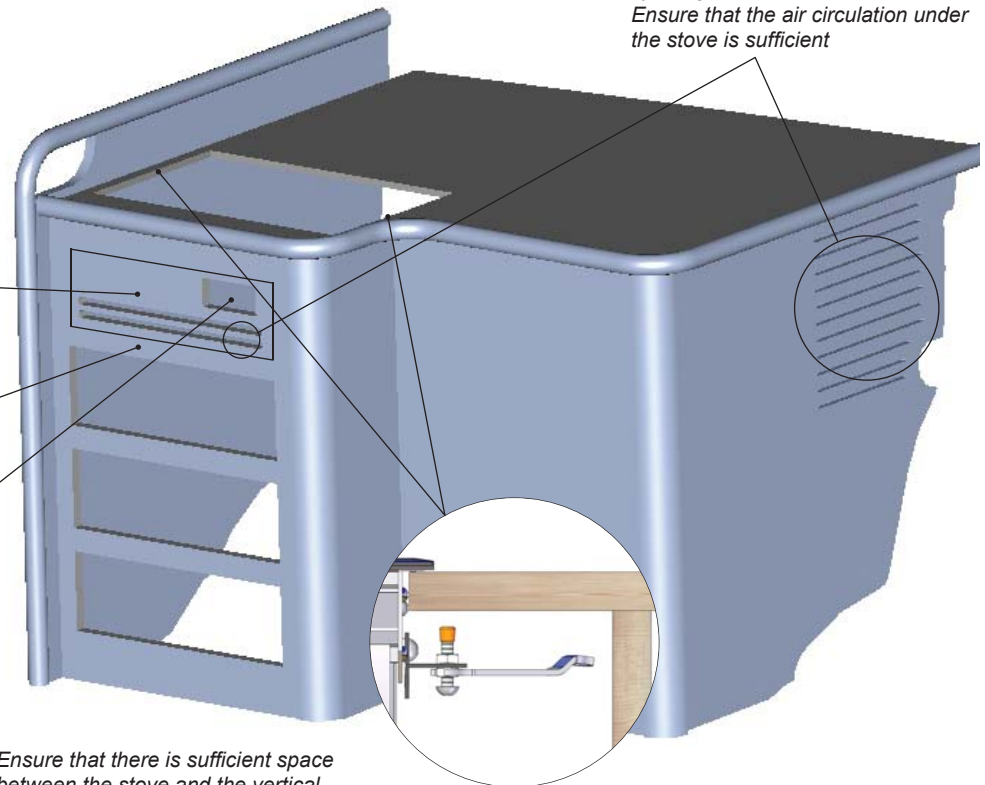


The stove requires a replacement air opening of at least 100 / 150 cm². Ensure that the air circulation under the stove is sufficient

You can also fabricate a detachable panel to go in front of the stove. This will facilitate installation and maintenance.

Ensure that there is sufficient space under the stove for cables and hoses.

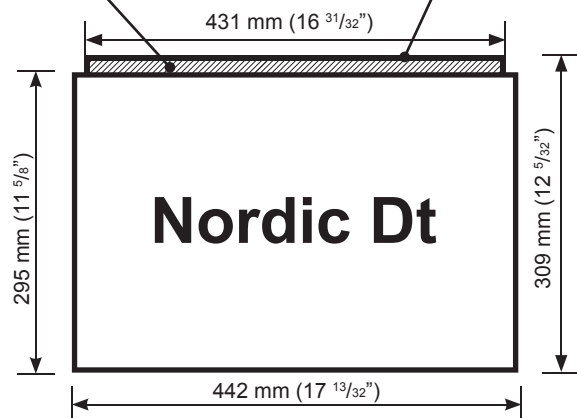
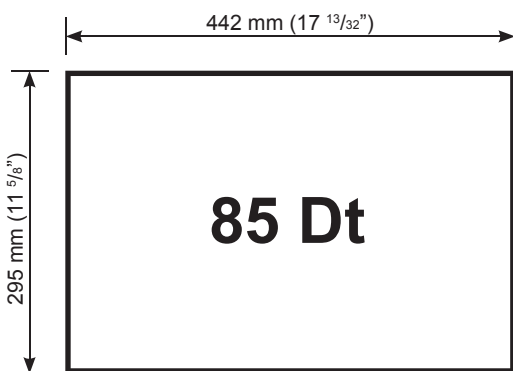
The control panel should be installed on a vertical surface.



Ensure that there is sufficient space between the stove and the vertical surface to facilitate installing and detaching the device.

Remove material from this area to install blower unit

Clue the L-shape profile to the edge of hole



Measurements of the stove installation cut-out.