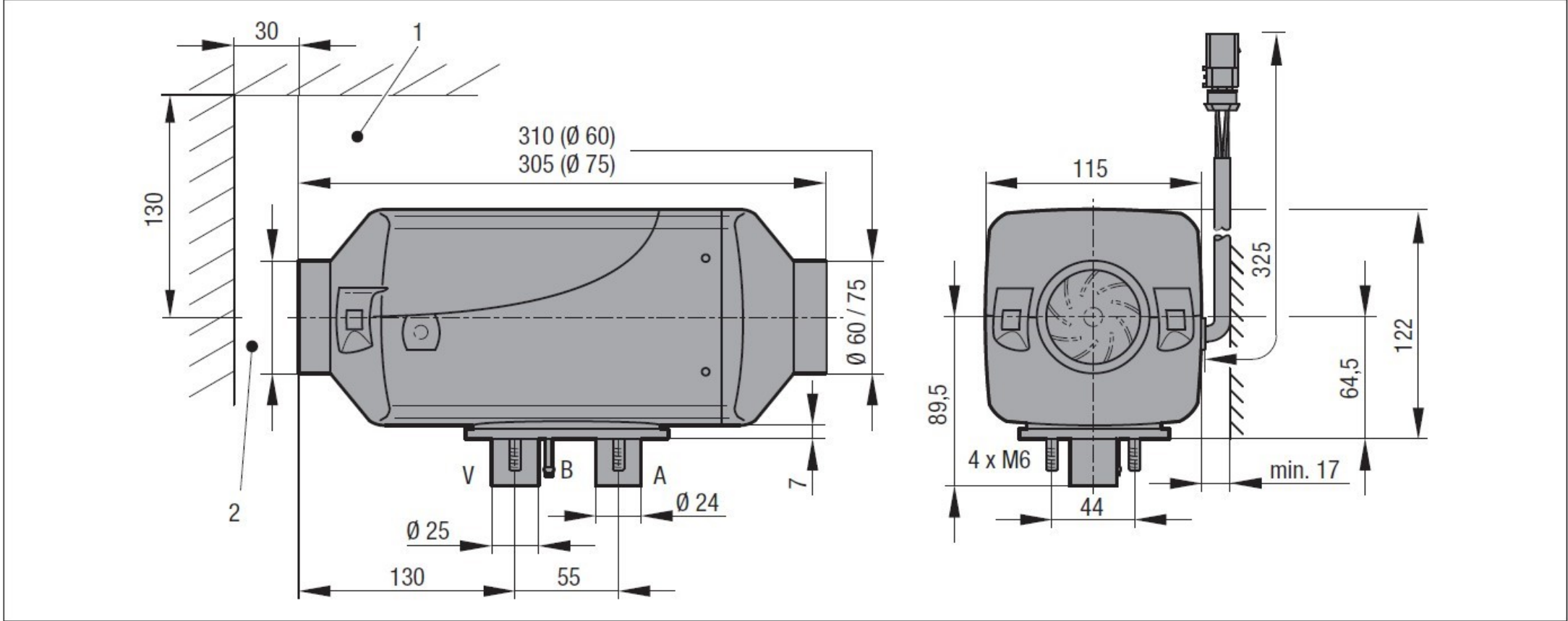


2.5 Main dimensions, Airtronic S2



- A = Exhaust
- B = Fuel
- V = Combustion air