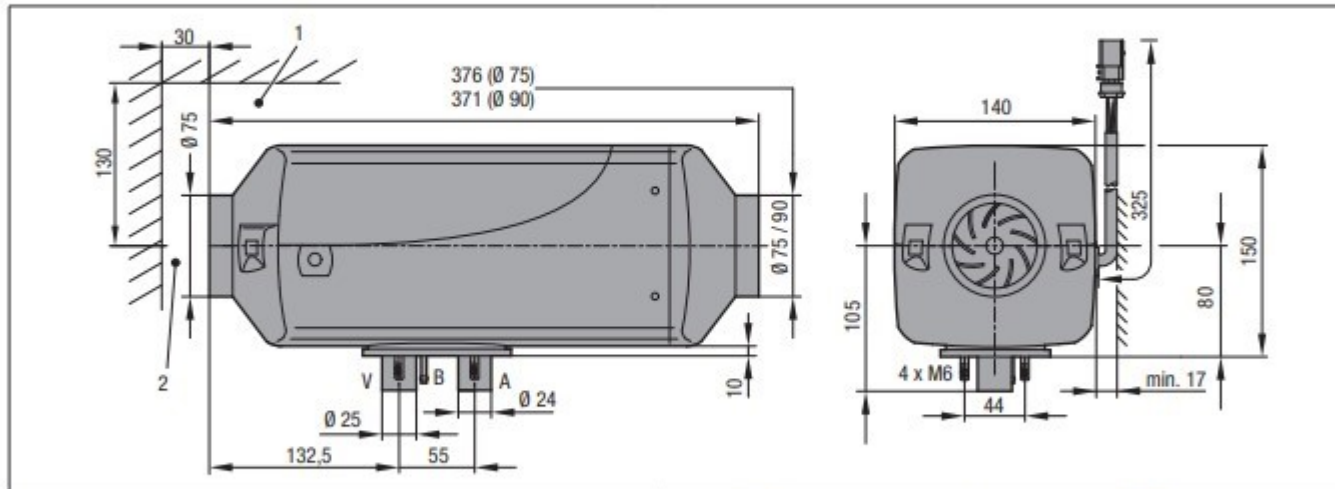


A = Exhaust
 B = Fuel
 V = Combustion air

2.5 Main dimensions, Airtronic M2



A = Exhaust
 B = Fuel
 V = Combustion air

- 1 Minimum installation distance (clearance) for opening the cover and for dismantling the glow plug and the control box.
- 2 Minimum installation distance (clearance) for intake of the hot air.