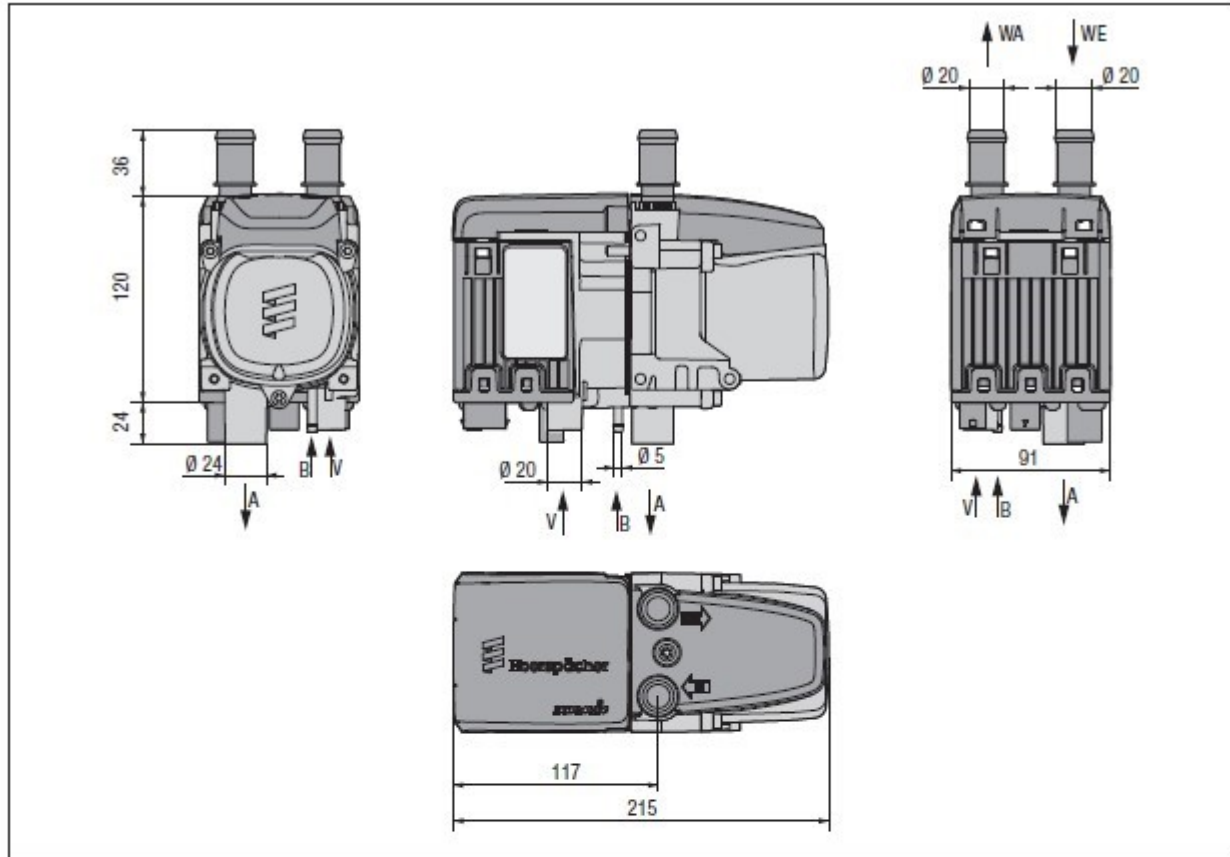
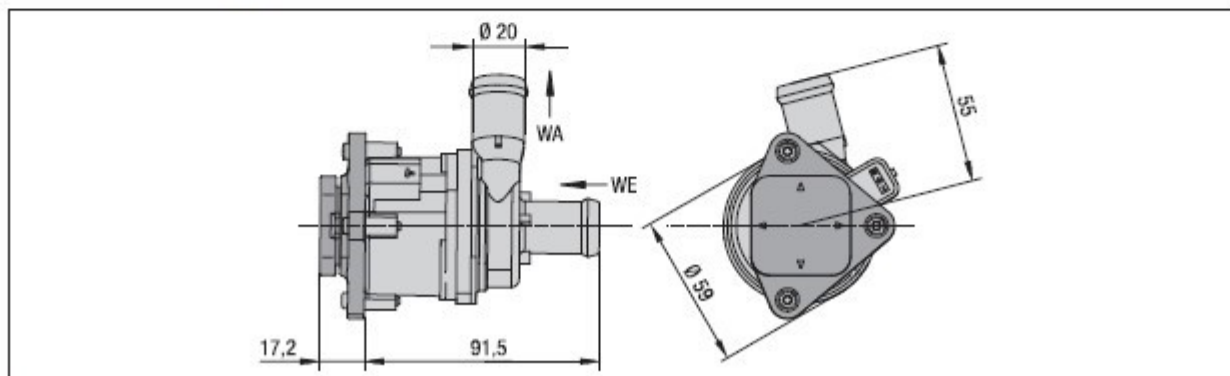


2.4 Main heater dimensions



- | | |
|------------------|--------------------|
| A Exhaust | WA Water discharge |
| B Fuel | WE Water inlet |
| V Combustion air | |

2.5 Main water pump dimensions



- | |
|--------------------|
| WA Water discharge |
| WE Water inlet |