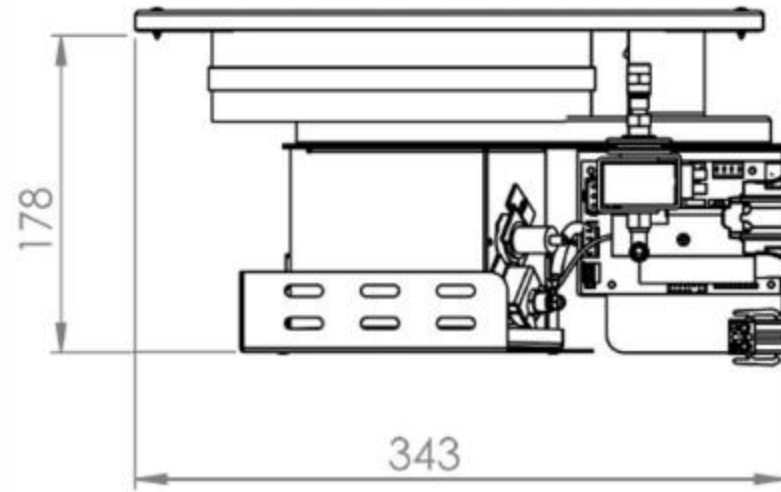


*Dimensions of the equipment*



*Dimensions of the cooktop*

